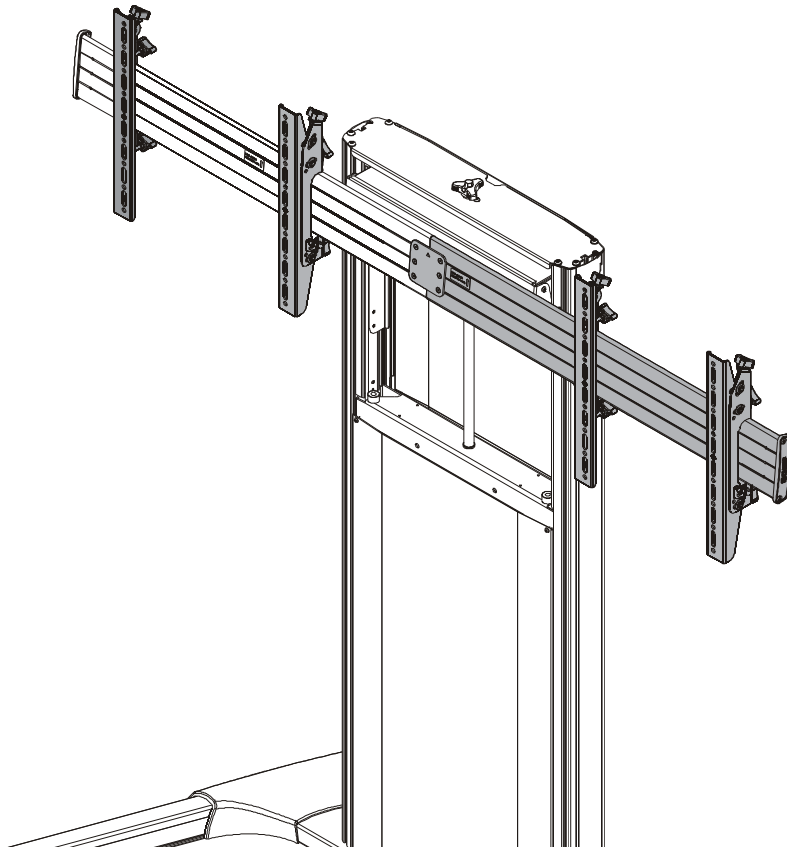

INSTALLATION INSTRUCTIONS



XPAU Dual Monitor Extension Accessory

DISCLAIMER

Milestone AV Technologies and its affiliated corporations and subsidiaries (collectively "Milestone"), intend to make this manual accurate and complete. However, Milestone makes no claim that the information contained herein covers all details, conditions or variations, nor does it provide for every possible contingency in connection with the installation or use of this product. The information contained in this document is subject to change without notice or obligation of any kind. Milestone makes no representation of warranty, expressed or implied, regarding the information contained herein. Milestone assumes no responsibility for accuracy, completeness or sufficiency of the information contained in this document.

Chief® is a registered trademark of Milestone AV Technologies. All rights reserved.

! IMPORTANT SAFETY INSTRUCTIONS

! WARNING: A WARNING alerts you to the possibility of serious injury or death if you do not follow the instructions.

! CAUTION: A CAUTION alerts you to the possibility of damage or destruction of equipment if you do not follow the corresponding instructions.

! WARNING: Failure to read, thoroughly understand, and follow all instructions can result in serious personal injury, damage to equipment, or voiding of factory warranty! It is the installer's responsibility to make sure all components are properly assembled and installed using the instructions provided.

! WARNING: Failure to provide adequate structural strength for this component can result in serious personal injury or

damage to equipment! It is the installer's responsibility to make sure the structure to which this component is attached can support five times the combined weight of all equipment. Reinforce the structure as required before installing the component.

! WARNING: RISK OF SERIOUS INJURY OR DEATH! Placing a remote control or toy on the cart may encourage a child to climb onto the cart causing the cart to tip over onto the child. DO NOT place remote controls or toys on the cart!

! WARNING: RISK OF SERIOUS INJURY OR DEATH! Relocating audio and/or video equipment to the cart may result in the cart collapsing or overturning onto a child. DO NOT relocate audio and/or video equipment to the cart!

! WARNING: Exceeding the weight capacity can result in serious personal injury or damage to equipment! It is the installer's responsibility to make sure the combined weight of each display and attached accessories does not exceed 300 lbs (137 kg) or 150 lbs (68.5 kg) per display after the FCA623 accessory has been installed to the XPAU.

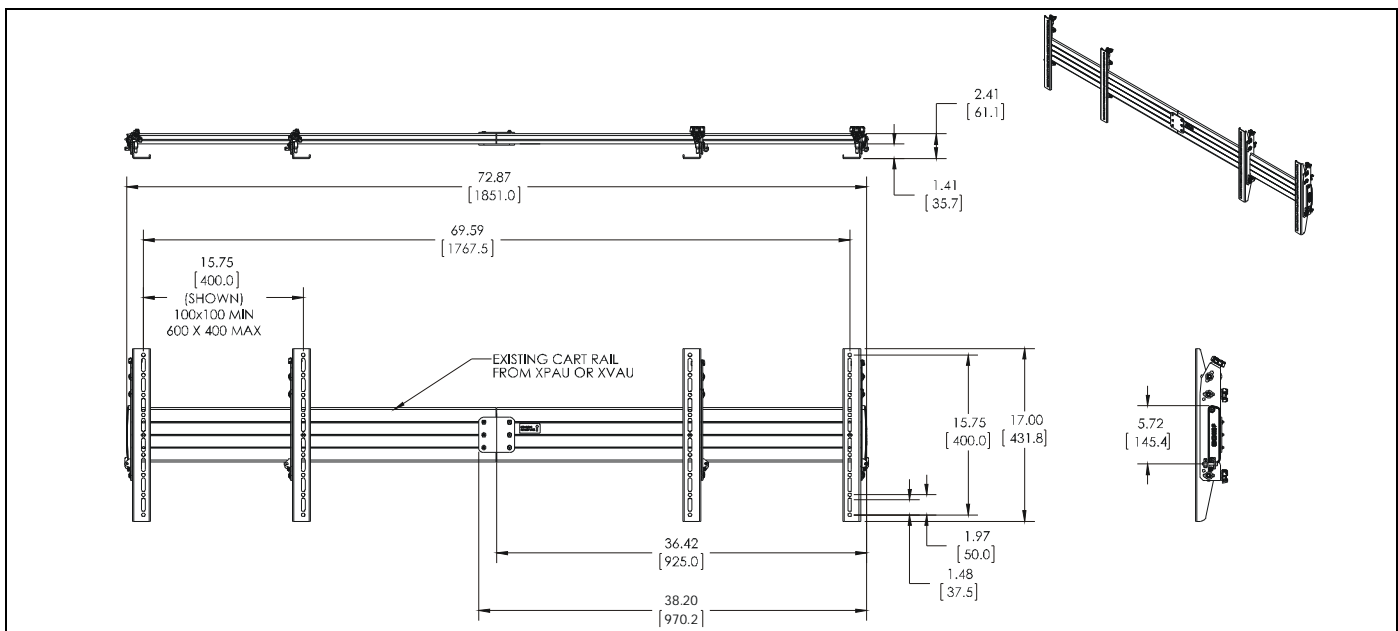
! WARNING: RISK OF SERIOUS INJURY OR DEATH! Use with televisions weighing more than the maximum weight indicated may result in the cart collapsing or overturning onto a person causing serious injury or death!

! WARNING: Do not use this product outdoors.

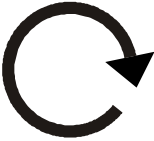

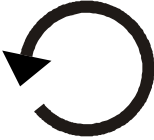









NOTE: The FCA623 has no user serviceable parts.

--SAVE THESE INSTRUCTIONS--

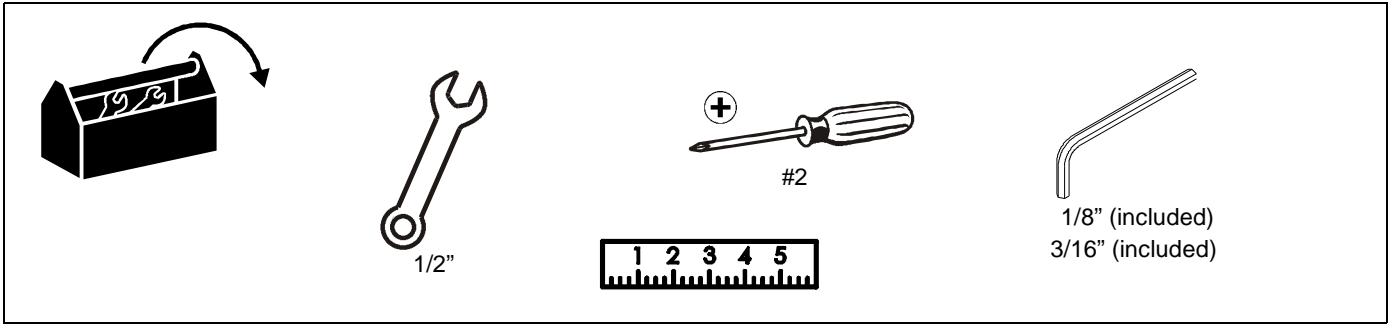
DIMENSIONS



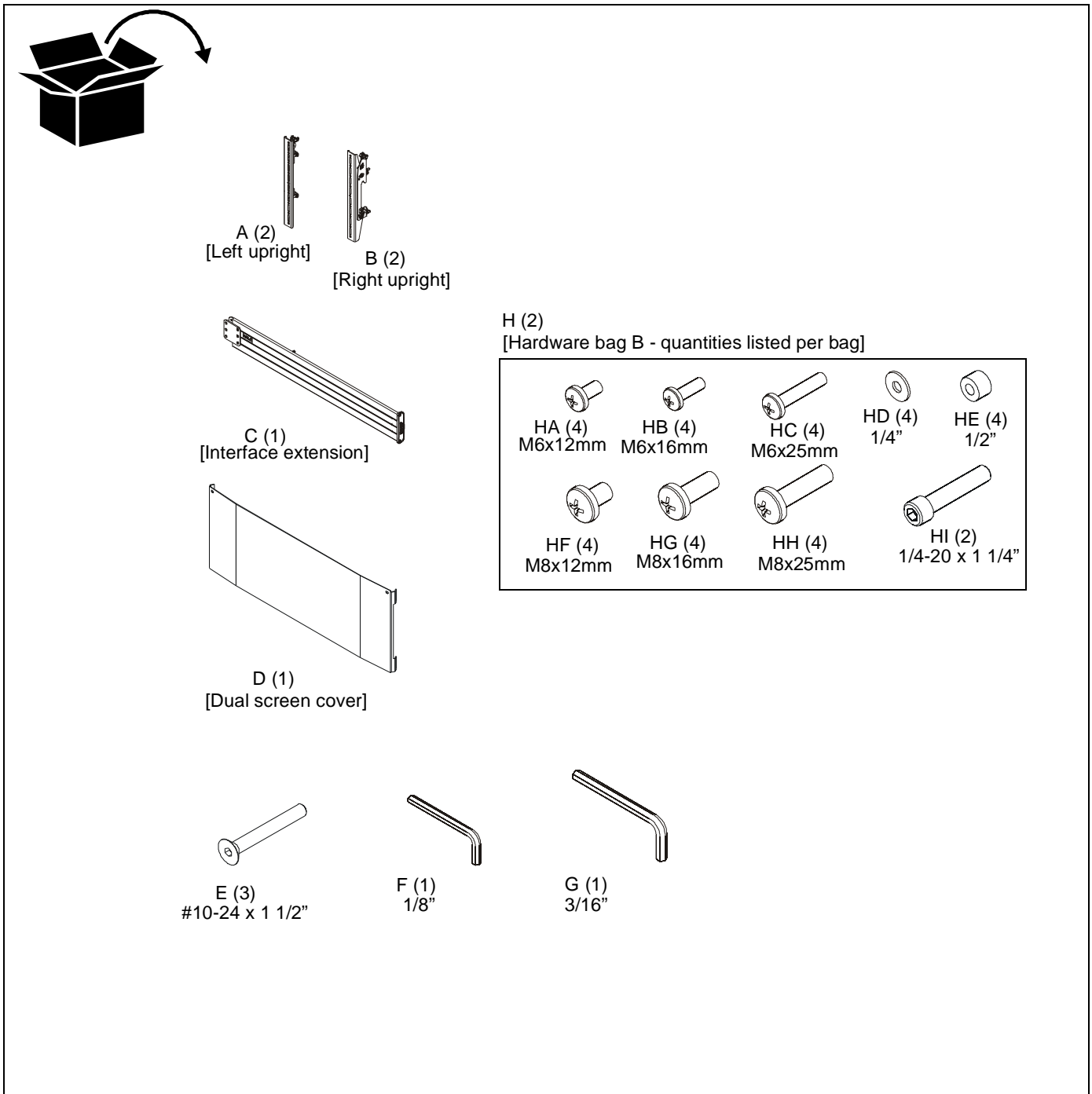
LEGEND

	<p>Tighten Fastener</p> <p>Apretar elemento de fijación</p> <p>Befestigungsteil festziehen</p> <p>Apertar fixador</p> <p>Serrare il fissaggio</p> <p>Bevestiging vastdraaien</p> <p>Serrez les fixations</p>		<p>Pencil Mark</p> <p>Marcar con lápiz</p> <p>Stiftmarkierung</p> <p>Marcar com lápis</p> <p>Segno a matita</p> <p>Potloodmerkten</p> <p>Marquage au crayon</p>
	<p>Loosen Fastener</p> <p>Aflojar elemento de fijación</p> <p>Befestigungsteil lösen</p> <p>Desapertar fixador</p> <p>Allentare il fissaggio</p> <p>Bevestiging losdraaien</p> <p>Desserrez les fixations</p>		<p>Drill Hole</p> <p>Perforar</p> <p>Bohrloch</p> <p>Fazer furo</p> <p>Praticare un foro</p> <p>Gat boren</p> <p>Percez un trou</p>
	<p>Phillips Screwdriver</p> <p>Destornillador Phillips</p> <p>Kreuzschlitzschraubendreher</p> <p>Chave de fendas Phillips</p> <p>Cacciavite a stella</p> <p>Kruiskopschroevendraaier</p> <p>Tournevis à pointe cruciforme</p>		<p>Adjust</p> <p>Ajustar</p> <p>Einstellen</p> <p>Ajustar</p> <p>Regolare</p> <p>Afstellen</p> <p>Ajuster</p>
	<p>Open-Ended Wrench</p> <p>Llave de boca</p> <p>Gabelschlüssel</p> <p>Chave de bocas</p> <p>Chiave a punte aperte</p> <p>Steeksleutel</p> <p>Clé à fourche</p>		<p>Remove</p> <p>Quitar</p> <p>Entfernen</p> <p>Remover</p> <p>Rimuovere</p> <p>Verwijderen</p> <p>Retirez</p>
	<p>By Hand</p> <p>A mano</p> <p>Von Hand</p> <p>Com a mão</p> <p>A mano</p> <p>Met de hand</p> <p>À la main</p>		<p>Optional</p> <p>Opcional</p> <p>Optional</p> <p>Opcional</p> <p>Opzionale</p> <p>Optie</p> <p>En option</p>
	<p>Hex-Head Wrench</p> <p>Llave de cabeza hexagonal</p> <p>Sechskantschlüssel</p> <p>Chave de cabeça sextavada</p> <p>Chiave esagonale</p> <p>Zeskantsleutel</p> <p>Clé à tête hexagonale</p>		<p>Security Wrench</p> <p>Llave de seguridad</p> <p>Sicherheitsschlüssel</p> <p>Chave de segurança</p> <p>Chiave di sicurezza</p> <p>Veiligheidsleutel</p> <p>Clé de sécurité</p>

TOOLS REQUIRED FOR INSTALLATION



PARTS



Assembly And Installation

The FCA623 is specifically designed to convert Chief's XPAU carts into 2x1 monitor mounting systems. Do not attempt to install the FCA623 onto any other mounting device!

1. Remove two Phillips screws and right side cover from right side of XPAU interface head assembly. (See Figure 1)

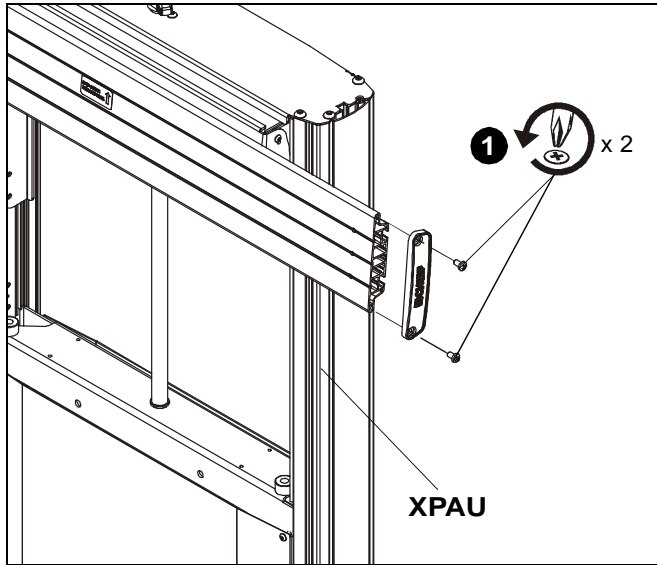


Figure 1

2. Remove four screws and washers holding tilt bracket and head assembly to column assembly. (See Figure 2)
3. Remove two stability knobs and spacers from head assembly. (See Figure 2)
4. Remove tilt plate and head assembly from column assembly. (See Figure 2)

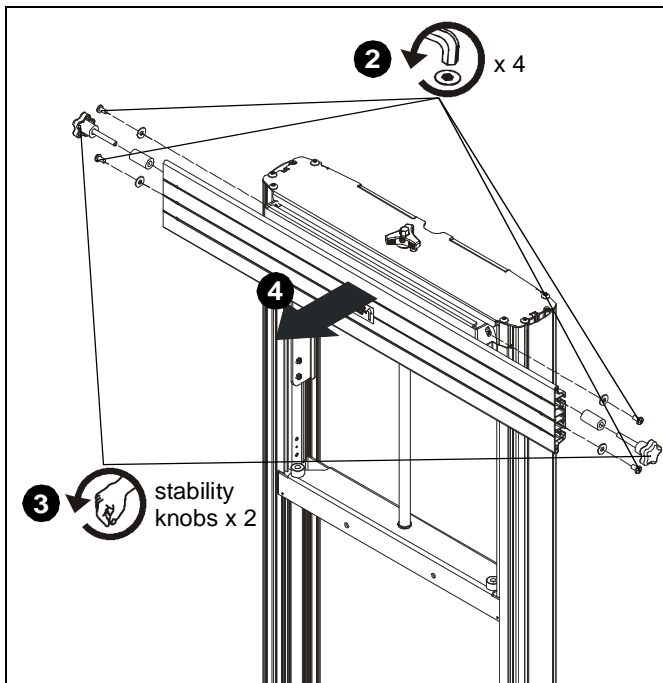


Figure 2

5. Remove four nuts holding interface head assembly to XPAU column assembly to remove head assembly. (See Figure 3)

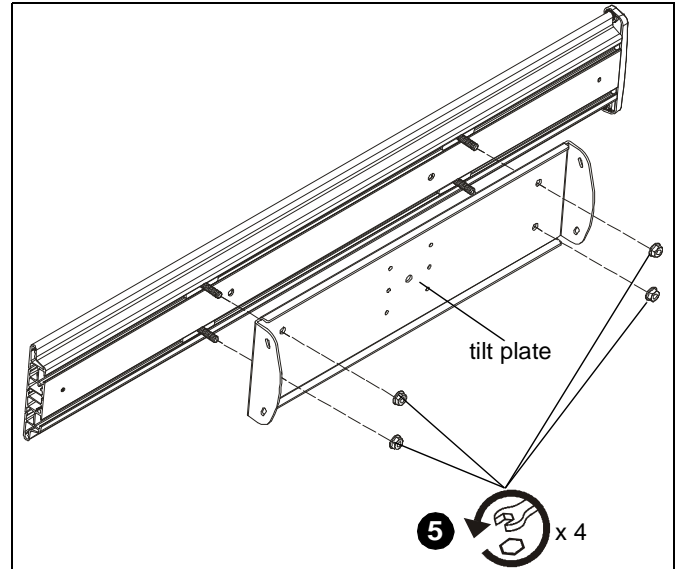


Figure 3

6. Remove three screws holding plates to FCA623 interface (C) in order to remove back plate. (See Figure 4)

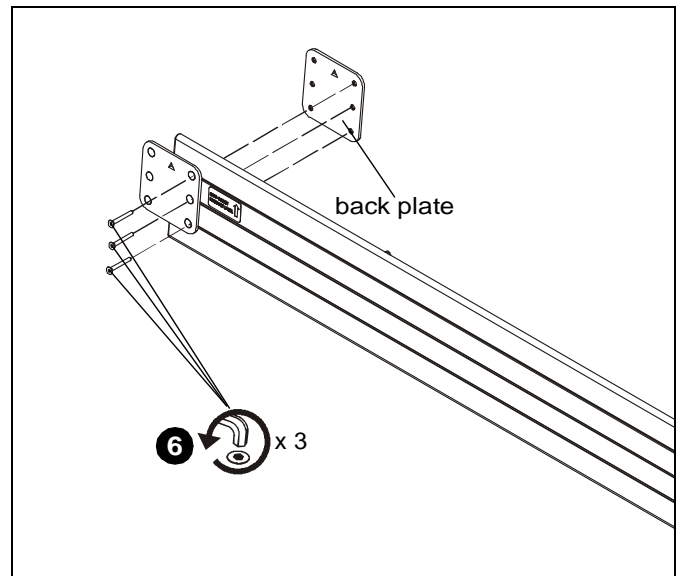


Figure 4

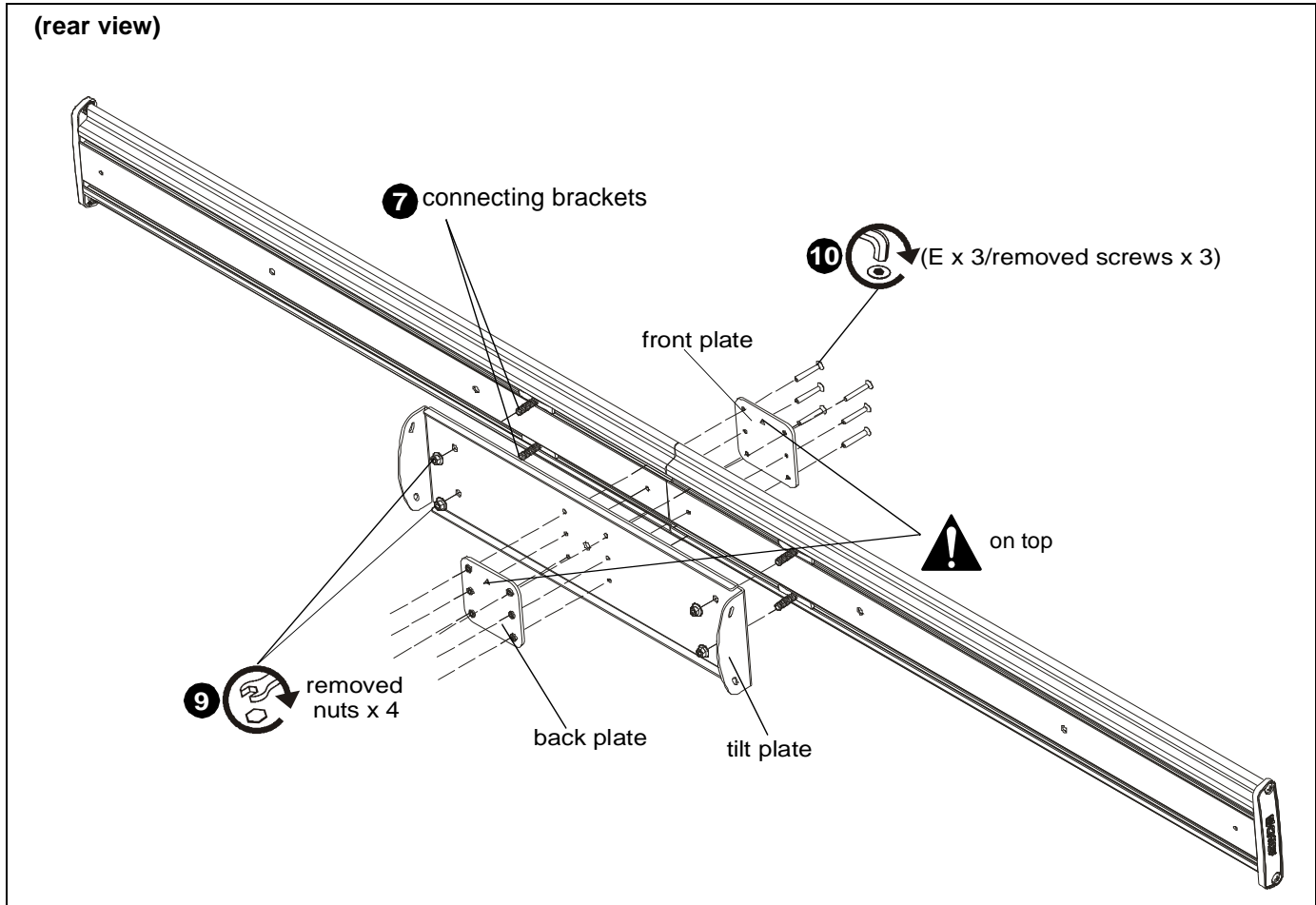


Figure 5

7. Slide two of four connecting brackets from XPAU head assembly into corresponding groove on FCA623 interface. (See Figure 5)
8. Align four connecting brackets with outside four holes on tilt plate. (See Figure 5)
9. Use four nuts removed in Step 4 to secure tilt plate to new head assembly. (See Figure 5)
10. Install six #10-24 x 1 1/2" flat head cap screws (E and removed screws) through front plate, new head assembly, tilt plate and back plate to create complete head assembly. (See Figure 5)

IMPORTANT ! : Make sure back plate and front plate are reassembled correctly. The triangles must be at the top when they are reattached! (See Figure 5)

11. Place new head assembly onto column assembly. (See Figure 6)
12. Use four screws and washers removed in Step 2 to reattach tilt plate to column assembly. (See Figure 6)
13. Reinstall two stability knobs and spacers through stability plates and into head assembly. (See Figure 6)

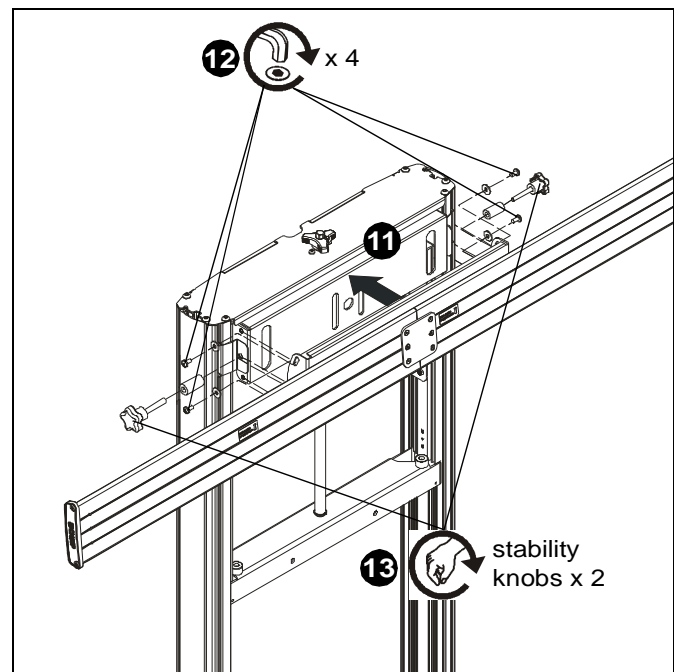


Figure 6

Display Installation

1. Place display face down on a soft, non-abrasive surface.

NOTE: For best access, route display cables through columns prior to display installation. See Cable Management section for details.



CAUTION: Using screws of improper diameter may damage your display! Proper screws will easily thread into display mounting holes.

2. Select screw *diameter* by examining hardware (HA-HC and HF-HH) (6mm or 8mm) and comparing with mounting holes on display. (See Figure 7)
3. Select spacers:
 - If mounting holes are not recessed and interface brackets (A and B) can lay flat against display, then no spacers are required.
 - If mounting holes are recessed, or if protrusions prevent brackets (A and B) from laying flat, then spacers (HE) must be used.



CAUTION: Using screws of improper length may damage your display! Proper screws will have adequate thread engagement without contacting bottom of display mounting holes.

4. Select screw *length*: (See Figure 7)
 - Using your hand, insert **SHORTEST** length screw of selected diameter (HA or HF) through 1/4" washer (HD), bracket (A or B), selected spacer (HE, if required), into display mounting hole. Do **NOT** thread screw into hole at this time.
 - Proper screw length requires base of screw head to protrude above flat washer a *distance equal to or greater than the screw diameter*. If screw length is inadequate, select longer screw. Select *shortest* screw which will protrude the required distance.
5. Use selected screws (HA-HC or HF-HH), washers (HD) and spacers (HE), if necessary, to connect interface brackets (A and B) to back of display. Make sure diamond on interface brackets is even with center of display. (See Figure 7)

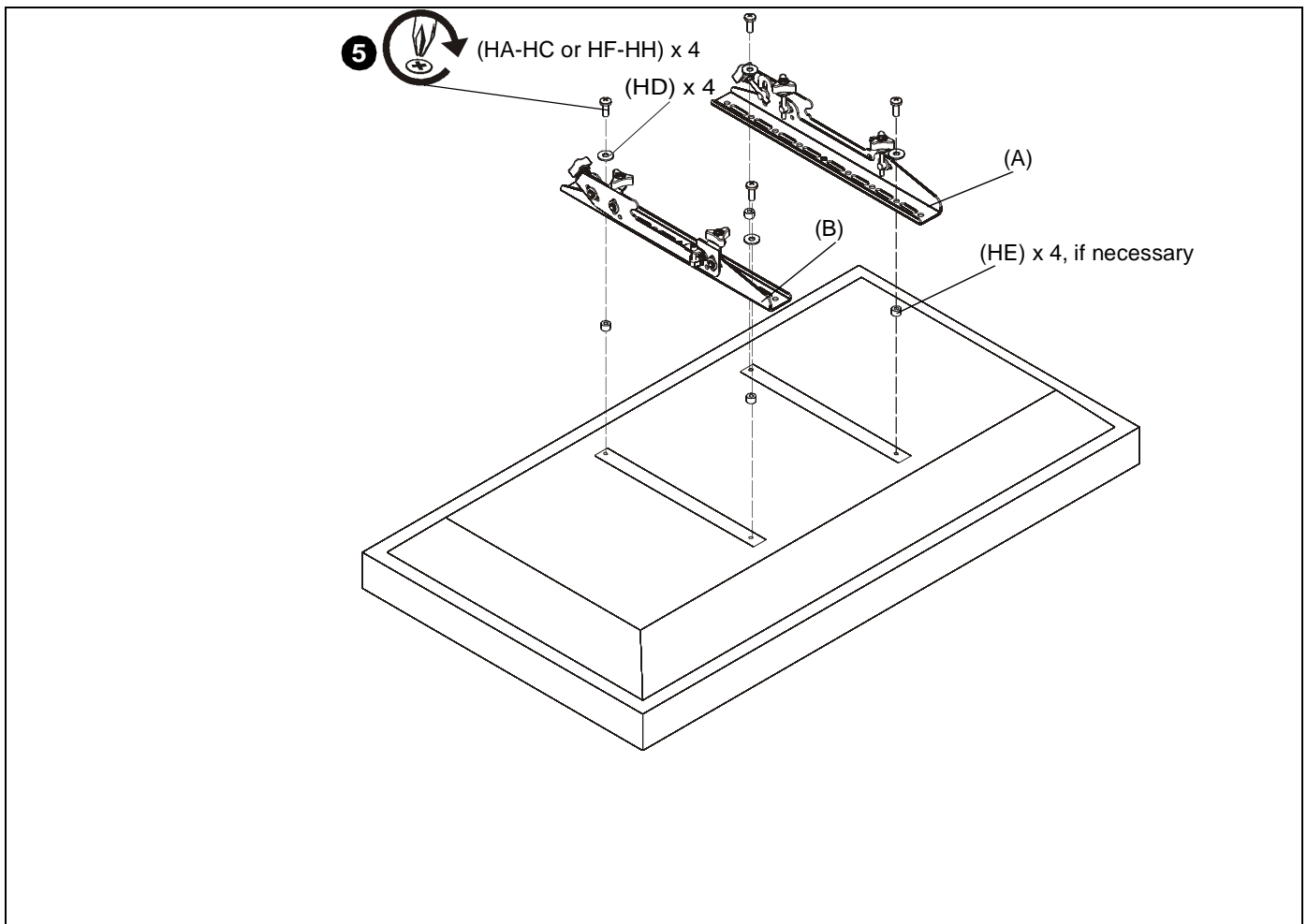


Figure 7



WARNING: Exceeding the weight capacity can result in serious personal injury or damage to equipment! It is the installer's responsibility to make sure the combined weight of each display and attached accessories does not exceed 300 lbs (137 kg) or 150 lbs (68.5 kg) per display after the FCA623 accessory has been installed to the XPAU.

6. Hang interface brackets (A and B) to display rails. (See Figure 8)
7. Use 1/4-20 x 1 1/4" socket head cap screws (HI) to secure interface brackets (A and B) to rails for each display. Screws must engage through both holes to be fully secured. (See Figure 8)

NOTE: Display positions may need to be adjusted after height and/or plumb adjustments in order to maintain desired alignment.

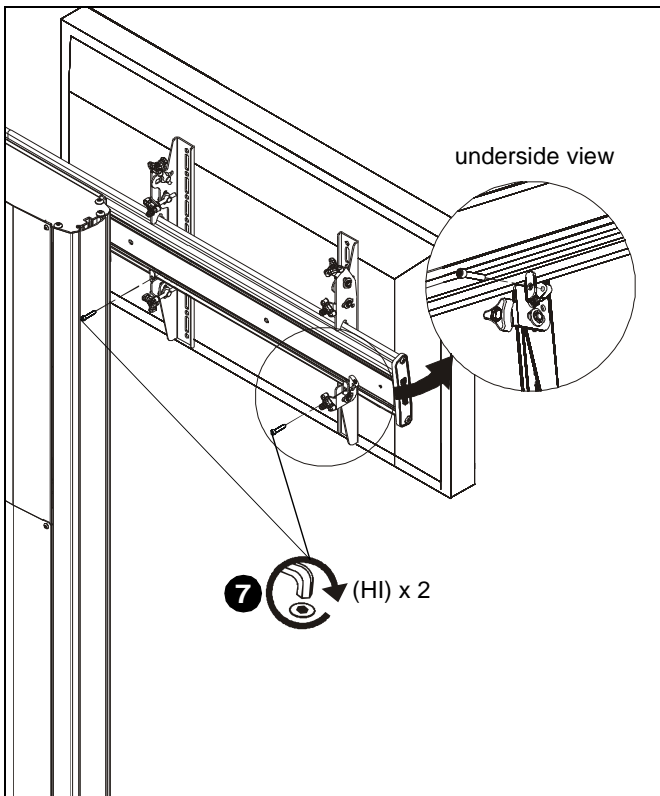


Figure 8

Dual Screen Cover Installation (Optional)

NOTE: Installation of dual screen cover (D) is for aesthetic purposes only and is completely optional.

NOTE: Cover may be install above or below head assembly depending on the position of the head assembly.

1. Remove displays from head assembly. (See XPAU installation instructions)
2. Install dual screen cover (D) into open area of column assembly, above or below head assembly. (See Figure 9) or (See Figure 10)

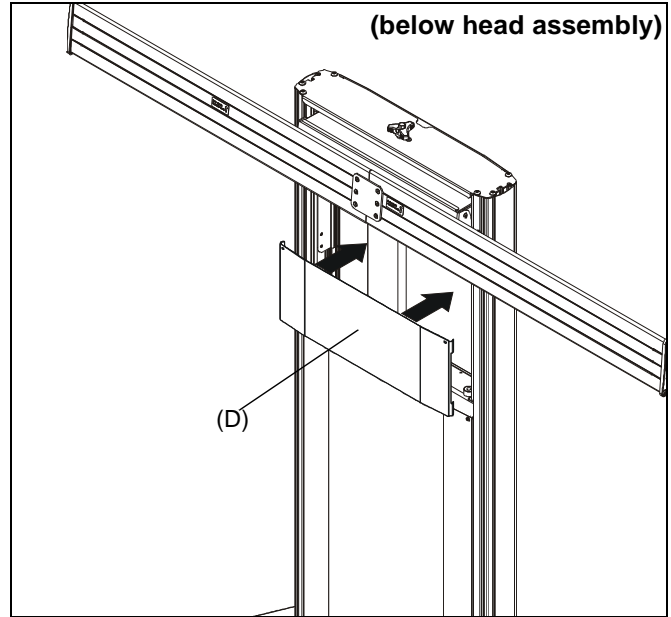


Figure 9

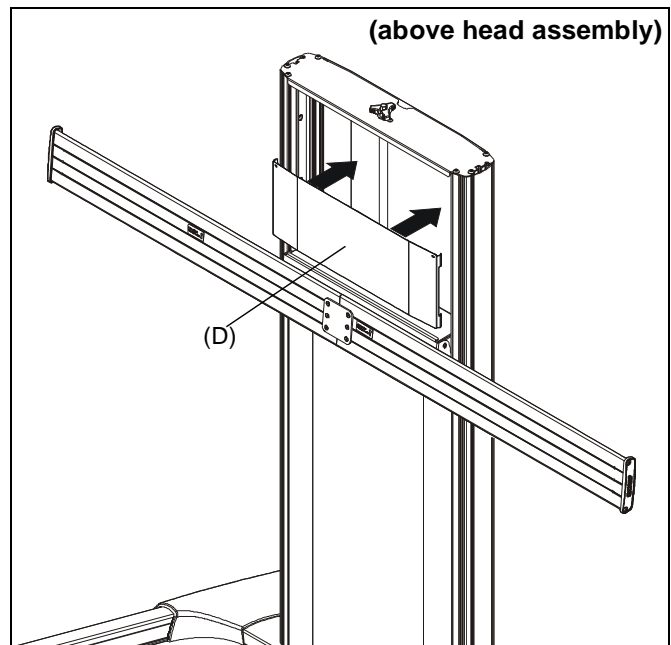


Figure 10

Adjustments

Height Adjustment

1. Use upper knob on back of interface brackets (A and B) to adjust the height of each display. (See Figure 11)

NOTE: Adjust both brackets in order to maintain a level mount.

Plumb Adjustment

2. Use middle and lower knobs on back of interface brackets (A and B) to make plumb adjustments to each display (See Figure 11)

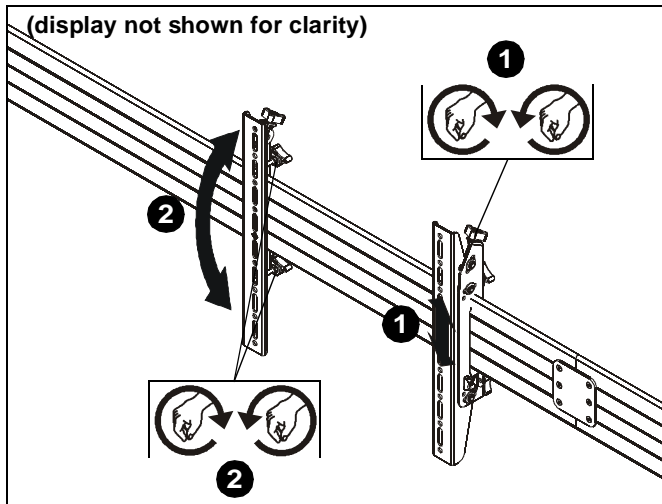


Figure 11



Our Mounts. **Your Vision.**

Chief, a products division of
Milestone AV Technologies

8800-002579 Rev01
©2014 Milestone AV Technologies
www.chiefmfg.com
11/14

USA/International	A 6436 City West Parkway, Eden Prairie, MN 55344 P 800.582.6480 / 952.225.6000 F 877.894.6918 / 952.894.6918
Europe	A Franklinstraat 14, 6003 DK Weert, Netherlands P +31 (0) 495 580 852 F +31 (0) 495 580 845
Asia Pacific	A Office No. 918 on 9/F, Shatin Galleria 18-24 Shan Mei Street Fotan, Shatin, Hong Kong P 852 2145 4099 F 852 2145 4477

